



**Cabinet for acids and alkalis SL-CLASSIC**  
**Model SL.196.060.MH, light grey (RAL 7035)**

**Safe and approved storage of aggressive, non flammable hazardous materials in working areas**

**Function / construction:**

- **Robust construction and longevity:** cabinet body made of powder-coated sheet steel, safety elements assembled outside the storage compartment for increased protection against corrosion
- **Two in one:** two hermetically separated storage compartments allow the isolated storage of acids and bases in one cabinet
- **No unauthorised use:** doors lockable with profile cylinder (integration in an existing locking system possible)
- **Easy alignment:** adjusting aids to compensate for uneven floor
- **ventilation:** integrated metal-free air ducts ready for connection to a technical exhaust system with only one extraction air inlet

**Dimensions**

<b>Width (external)</b>	597.00 mm
<b>Depth (external)</b>	603.00 mm
<b>Height (external)</b>	1965.00 mm
<b>Width (internal)</b>	485.00 mm
<b>Depth (internal)</b>	570.00 mm
<b>Height (internal)</b>	914.00 mm

The available internal dimensions can vary depending on the interior equipment package.

**Weight / Load**

<b>Weight without interior equipment</b>	125 kg
<b>Distributed load</b>	444.00 kg/m <sup>2</sup>
<b>Maximum load</b>	300 kg

**Ventilation**

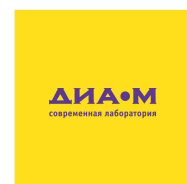
<b>Extraction air</b>	75 DN
<b>recom. exhaust air quantity 30 times</b>	8 m <sup>3</sup> /h
<b>Differential pressure (30 times air change)</b>	40 Pa
<b>minimum exhaust air quantity 10 times</b>	5 m <sup>3</sup> /h
<b>Pressure drop inside the cabinet</b>	40 Pa

**Colouring / Surface finish**

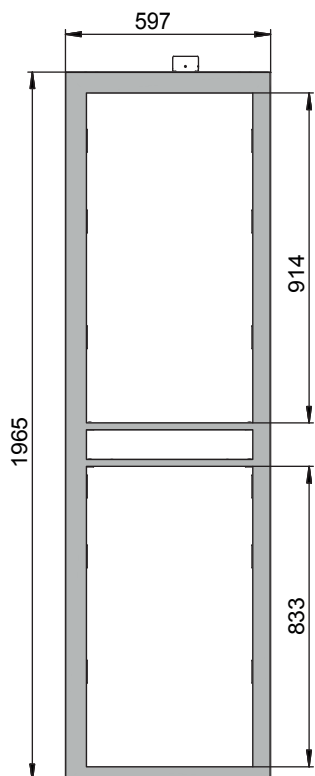
<b>Body colour code</b>	RAL 7035
<b>Body colour</b>	Light grey
<b>Body surface finish</b>	plain
<b>Door / Drawer colour code</b>	RAL 7035
<b>Door / Drawer colour</b>	Light grey
<b>Door / Drawer surface finish</b>	plain

**General Information**

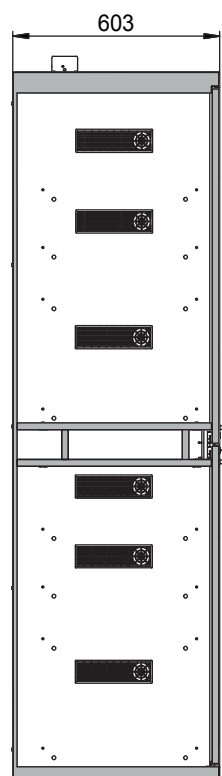
<b>Number of doors</b>	2
<b>Depth with open doors</b>	1119 mm
<b>Customs tariff number</b>	94032080



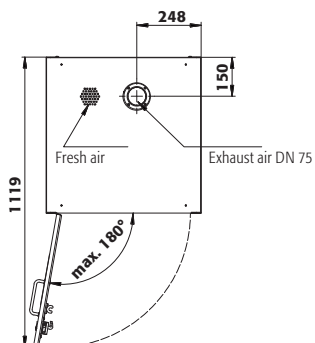
Front view



Side view



Top view



**000 «Диаэм»**

Москва  
ул. Магаданская, д. 7, к. 3 ■ тел./факс: (495) 745-0508 ■ sales@dia-m.ru

[www.dia-m.ru](http://www.dia-m.ru)

**С.-Петербург**  
+7 (812) 372-6040  
spb@dia-m.ru

**Новосибирск**  
+7 (383) 328-0048  
nsk@dia-m.ru

**Воронеж**  
+7 (473) 232-4412  
vrn@dia-m.ru

**Йошкар-Ола**  
+7 (927) 880-3676  
nba@dia-m.ru

**Красноярск**  
+7 (923) 303-0152  
krsk@dia-m.ru

**Казань**  
+7 (843) 210-2080  
kazan@dia-m.ru

**Ростов-на-Дону**  
+7 (863) 303-5500  
rnd@dia-m.ru

**Екатеринбург**  
+7 (912) 658-7606  
ekb@dia-m.ru

**Кемерово**  
+7 (923) 158-6753  
kemerovo@dia-m.ru

**Армения**  
+7 (094) 01-0173  
armenia@dia-m.ru

