

**Safety storage cabinet Q-CLASSIC-90**  
**Model Q90.195.120, body colour anthracite grey**  
**(RAL 7016), with wing doors in warning yellow**  
**(RAL 1004)**

**Safe and approved storage of flammable hazardous substances in working areas**

**Function / construction:**

- **Robust construction and longevity:** triple hinged door, safety elements assembled outside the storage compartment for increased protection against corrosion, scratch- and impact-resistant surface, easy to clean
- **No unauthorised use:** doors lockable with cylinder locking (integration in an existing locking system possible) and locking state indicator (red/green)
- **Easy transport:** integrated transport base with removable, optional base cover
- **Easy alignment:** adjusting aids to compensate for uneven floor
- **Ventilation:** integrated air ducts ready for connection (DN 75) to a technical exhaust system, spinning wheel in the exhaust grid as an indicator of sufficient technical ventilation

**Dimensions**

<b>Width (external)</b>	1193 mm
<b>Depth (external)</b>	615 mm
<b>Height (external)</b>	1953 mm
<b>Width (internal)</b>	1050 mm
<b>Depth (internal)</b>	522 mm
<b>Height (internal)</b>	1647 mm

The available internal dimensions can vary depending on the interior equipment package.

**Weight / Load**

<b>Weight without interior equipment</b>	424 kg
<b>Distributed load</b>	531 kg/m <sup>2</sup>
<b>Maximum load</b>	600 kg

**Ventilation**

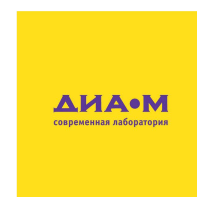
<b>Extraction air</b>	75 DN
<b>minimum exhaust air quantity 10 times</b>	9 m <sup>3</sup> /h
<b>Pressure drop inside the cabinet</b>	5 Pa

**Colouring / Surface finish**

<b>Body colour code</b>	RAL 7016
<b>Body colour</b>	anthracite grey
<b>Body surface finish</b>	textured
<b>Door / Drawer colour code</b>	RAL 1004
<b>Door / Drawer colour</b>	Warning yellow
<b>Door / Drawer surface finish</b>	textured

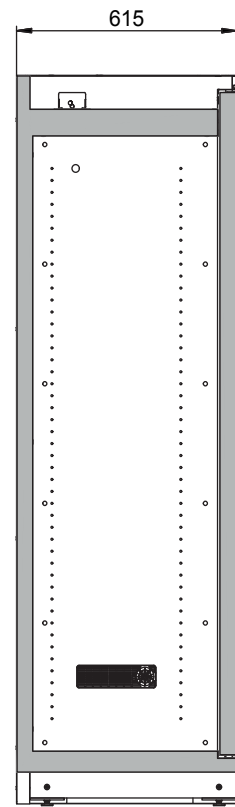
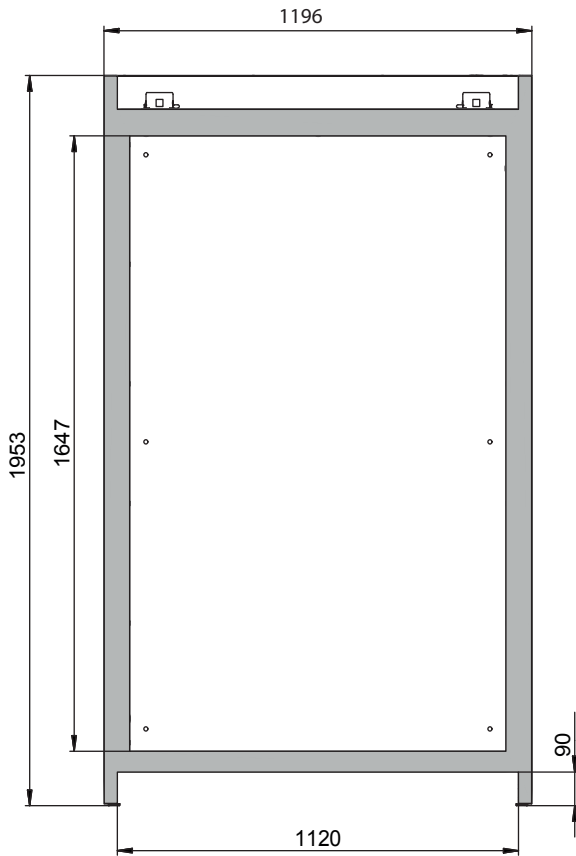
**General Information**

<b>Number of doors</b>	2
<b>Door opening angle</b>	89.50°
<b>Depth with open doors</b>	1165 mm
<b>Interior grid dimension</b>	32 mm
<b>Entry width transport base</b>	1120 mm
<b>Entry height transport base</b>	90 mm
<b>Customs tariff number</b>	94032080

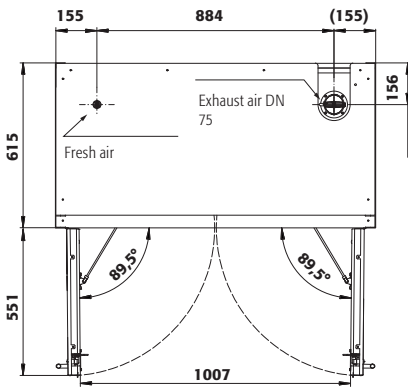


Front view

Side view



Top view



**000 «Диаэм»**

Москва  
ул. Магаданская, д. 7, к. 3 ■ тел./факс: (495) 745-0508 ■ sales@dia-m.ru

[www.dia-m.ru](http://www.dia-m.ru)

**С.-Петербург**  
+7 (812) 372-6040  
spb@dia-m.ru

**Новосибирск**  
+7 (383) 328-0048  
nsk@dia-m.ru

**Воронеж**  
+7 (473) 232-4412  
vrn@dia-m.ru

**Йошкар-Ола**  
+7 (927) 880-3676  
nba@dia-m.ru

**Красноярск**  
+7 (923) 303-0152  
krsk@dia-m.ru

**Казань**  
+7 (843) 210-2080  
kazan@dia-m.ru

**Ростов-на-Дону**  
+7 (863) 303-5500  
rnd@dia-m.ru

**Екатеринбург**  
+7 (912) 658-7606  
ekb@dia-m.ru

**Кемерово**  
+7 (923) 158-6753  
kemerovo@dia-m.ru

**Армения**  
+7 (094) 01-0173  
armenia@dia-m.ru

