

Linear Connectors



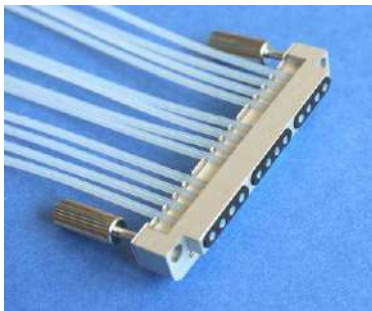
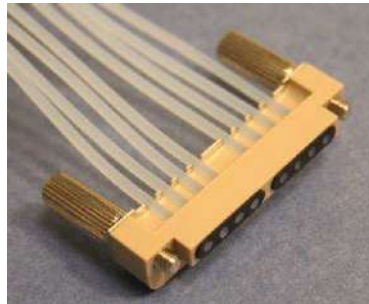
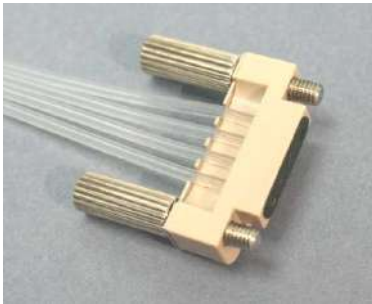
product datasheet	page
Description	3
Main Benefits	3
Specifications	4
Cross-Sectional View	4
Geometry	5



Part name	Part number
Linear Connector 4-way	3000024
Linear Connector 8-way	3000102
Linear Connector 12-way	3000067
Linear Connector Seal 4-way	3000021

Description

The Linear Connector 4-way allows fast and reliable connection between Dolomite chips and 1.6mm O.D. tubing. The Linear Connector works with chips that are 4mm thick, and also have a chip header in place. The connectors can also be used with other types of headers allowing connection on the top surface of a chip. This is shown in the diagrams below:



Above and left:
Linear connector with tubing and seal in place

Right top:
Linear Connector with Top Interface and microfluidic chip

Right:
Linear Connector Seal 4-way

Main Benefits

- Compact
- Low dead volume
- Quick connect/disconnect
- Wide temperature and pressure range
- Low cost
- Excellent chemical compatibility

Specifications

Specification	Linear Connector 4 way	Linear Connector 8-way	Linear Connector 12-way
Number of ports	4	8	12
Chip thickness options	4mm		
Chip width options	15mm	30mm	45mm
Chip length options	10mm-90mm		
Outside diameter of connection tubing	1.6mm(1/16inch)		
Inside diameter of connection tubing	0.25mm, 0.5mm, 0.8mm		
Connection tubing material	PTFE (FEP, ECTFE, ETFE, PFA) or PEEK		
Operating pressure	30bar*	10bar*	5bar*
Operating temperature of connector	-15 to 75°C		
Operating temperature of fluid in connector	-15 to 150°C **		
Wetted materials	Glass, PTFE and perfluoroelastomer		
Connector materials	PEEK, Stainless Steel 316	PEEK, Stainless Steel 316	Aluminium and Stainless Steel 316
Dead volume	<0.1µl per port		

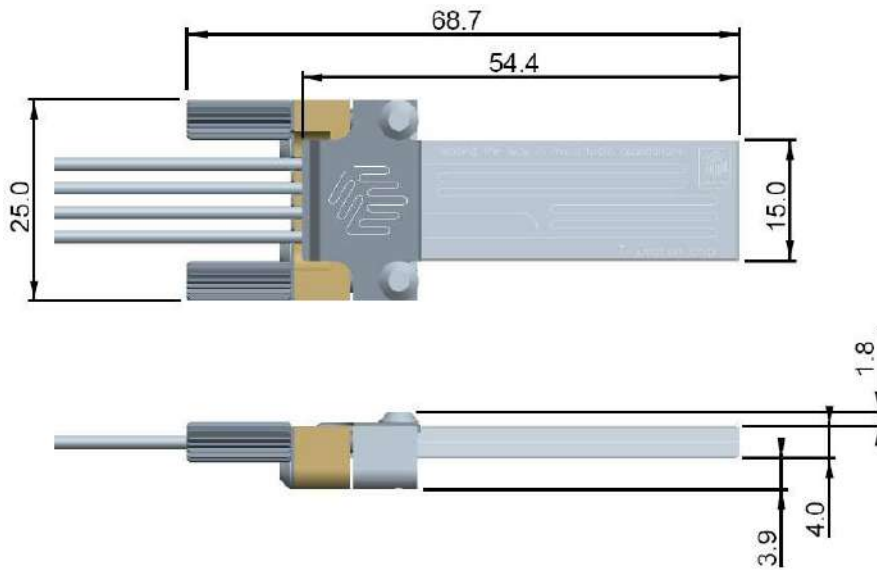
*Based on tests at 21 °C

**Assumes external surfaces of connector are at room temperature and tube I.D. <0.5mm.

Cross-sectional view



Linear Connector 4-way (Part No. 3000024)



Linear Connector 8-way (Part No. 3000102)

