



**Safety storage under bench cabinet UB-S-90  
Model UB90.060.140.2S, light grey (RAL 7035)**

**Safe and approved storage of flammable hazardous  
substances in working areas**

**Function / construction:**

- **Robust construction and longevity:** body made of powder-coated sheet steel
- **User-friendly:** drawers remain open in any position, interior of drawers completely visible – access to all containers
- **Safe:** drawers fitted with earthing wire incl. clamp as standard, seal welded sump, drawers are self-closing in the event of fire
- **No unauthorised use:** drawers lockable with cylinder lock and locking state indicator (red/green)
- **Mobile:** castors with plinth (optionally available), easy moving of the cabinet
- **Ventilation:** integrated air ducts ready for connection (DN 50) to a technical exhaust system



**Dimensions**

<b>Width (external)</b>	1402.00 mm
<b>Depth (external)</b>	574.00 mm
<b>Height (external)</b>	600.00 mm
<b>Width (internal)</b>	1279.00 mm
<b>Depth (internal)</b>	452.00 mm
<b>Height (internal)</b>	502.00 mm

The available internal dimensions can vary depending on the interior equipment package.

**Weight / Load**

<b>Weight without interior equipment</b>	230 kg
<b>Distributed load</b>	240.00 kg/m <sup>2</sup>
<b>Maximum load</b>	300 kg

**Ventilation**

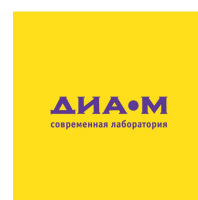
<b>Extraction air</b>	50 DN
<b>minimum exhaust air quantity 10 times</b>	3 m <sup>3</sup> /h
<b>Pressure drop inside the cabinet</b>	1 Pa

**Colouring / Surface finish**

<b>Body colour code</b>	RAL 7035
<b>Body colour</b>	Light grey
<b>Body surface finish</b>	plain
<b>Door / Drawer colour code</b>	RAL 7035
<b>Door / Drawer colour</b>	Light grey
<b>Door / Drawer surface finish</b>	plain

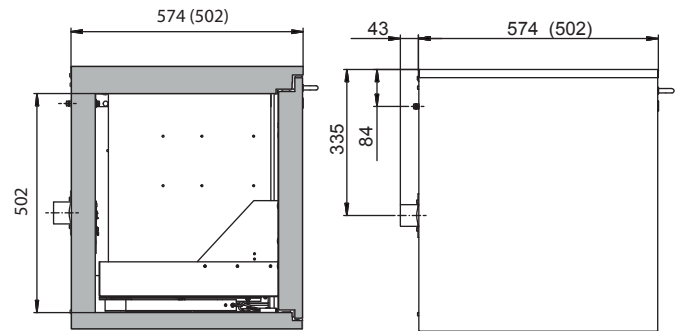
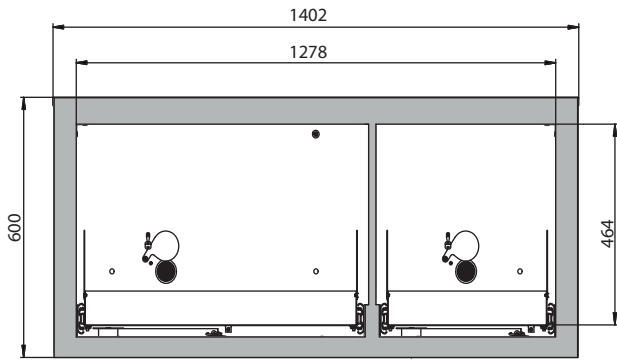
**General Information**

<b>Number of drawers</b>	2
<b>Capacity drawer</b>	21.00 litres
<b>Volume of drawer 2</b>	11.50 litres
<b>Customs tariff number</b>	94032080

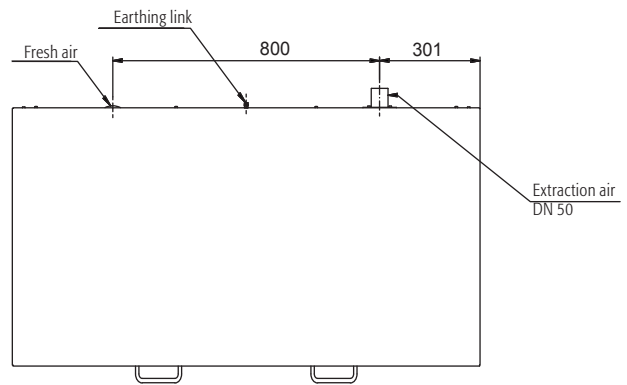
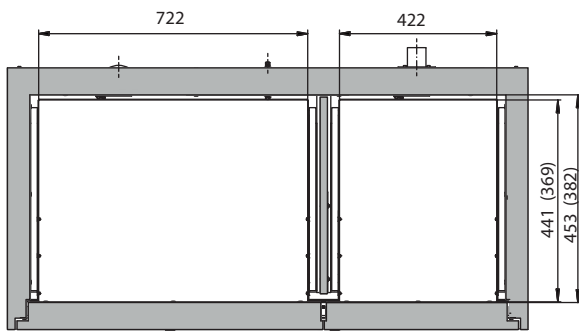


Front view

Side view



Top view



**000 «Диаэм»**

Москва  
ул. Магаданская, д. 7, к. 3 ■ тел./факс: (495) 745-0508 ■ sales@dia-m.ru

[www.dia-m.ru](http://www.dia-m.ru)

**С.-Петербург**  
+7 (812) 372-6040  
spb@dia-m.ru

**Новосибирск**  
+7 (383) 328-0048  
nsk@dia-m.ru

**Воронеж**  
+7 (473) 232-4412  
vrn@dia-m.ru

**Йошкар-Ола**  
+7 (927) 880-3676  
nba@dia-m.ru

**Красноярск**  
+7 (923) 303-0152  
krsk@dia-m.ru

**Казань**  
+7 (843) 210-2080  
kazan@dia-m.ru

**Ростов-на-Дону**  
+7 (863) 303-5500  
rnd@dia-m.ru

**Екатеринбург**  
+7 (912) 658-7606  
ekb@dia-m.ru

**Кемерово**  
+7 (923) 158-6753  
kemerovo@dia-m.ru

**Армения**  
+7 (094) 01-0173  
armenia@dia-m.ru

